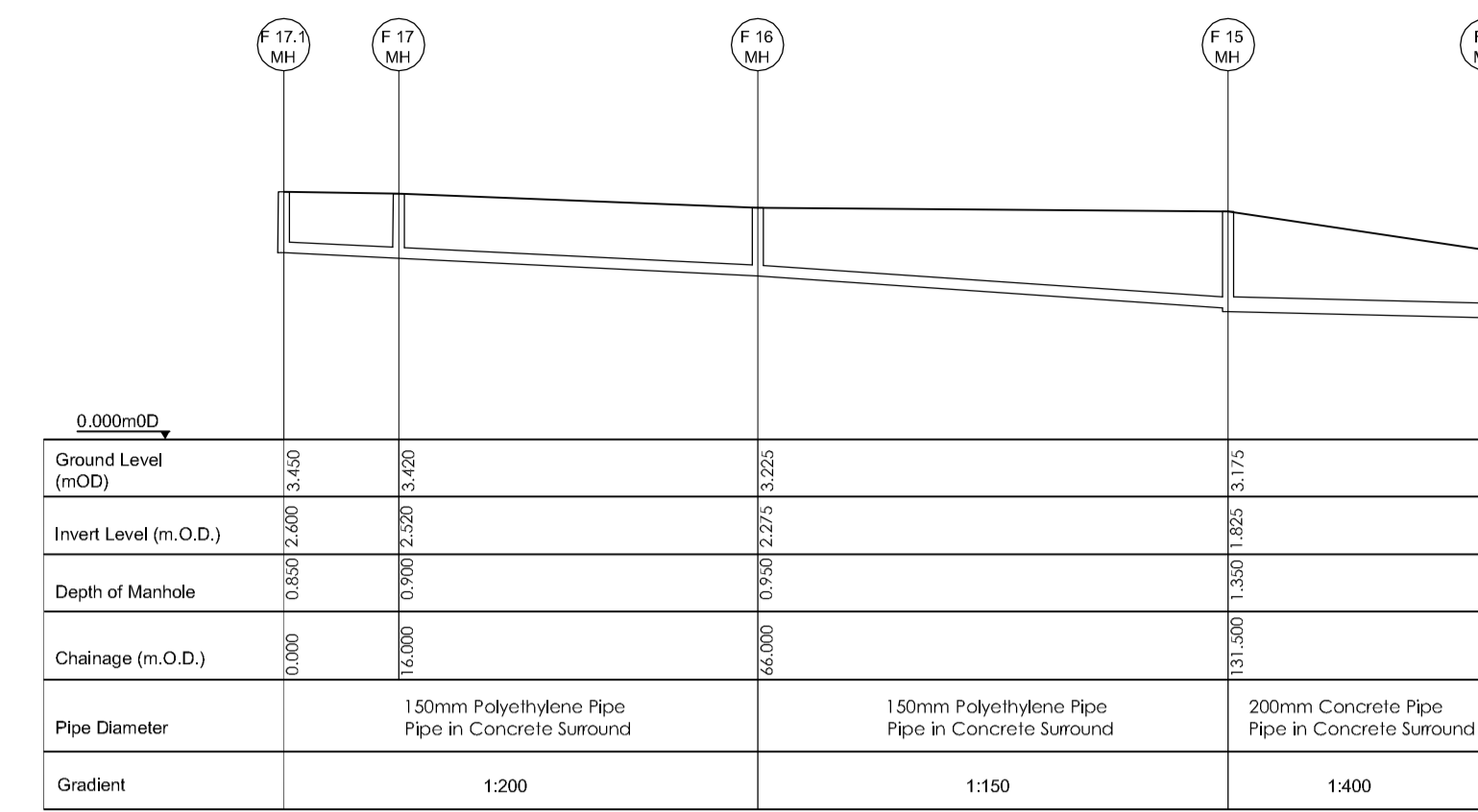
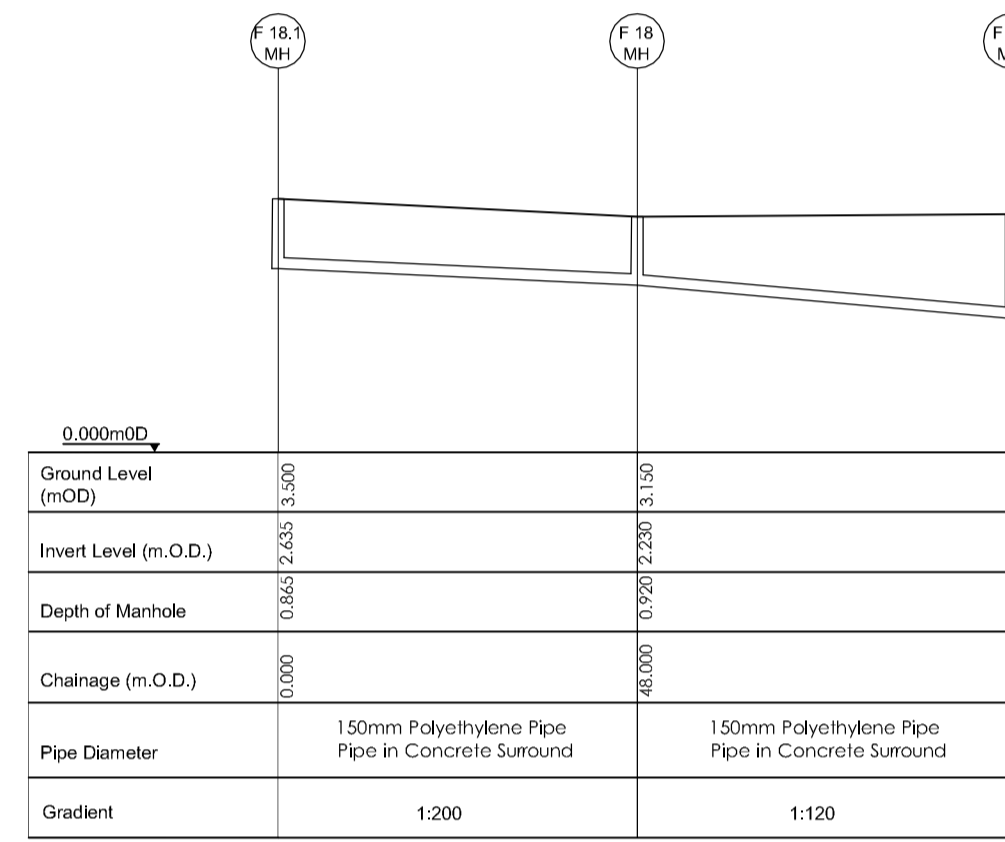


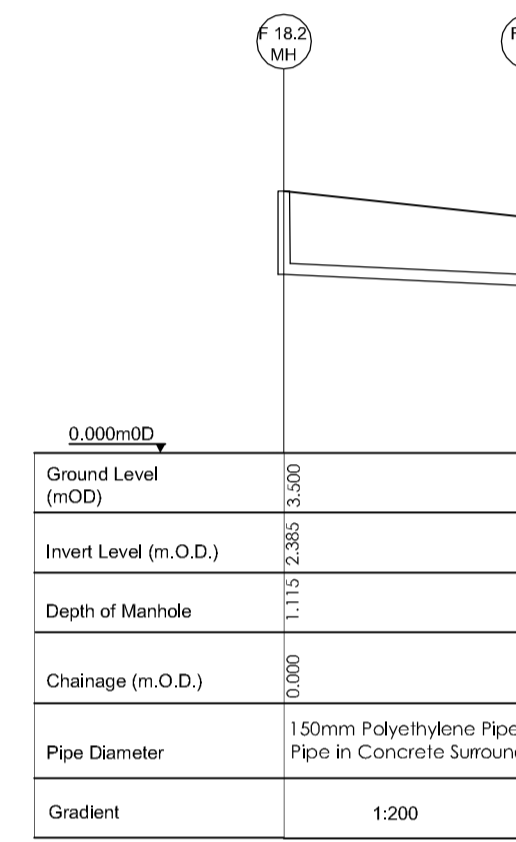
A LONGITUDINAL SECTION F 7 MH - F 0 MH
Scale: Horiz 1:1000, Vert 1:100



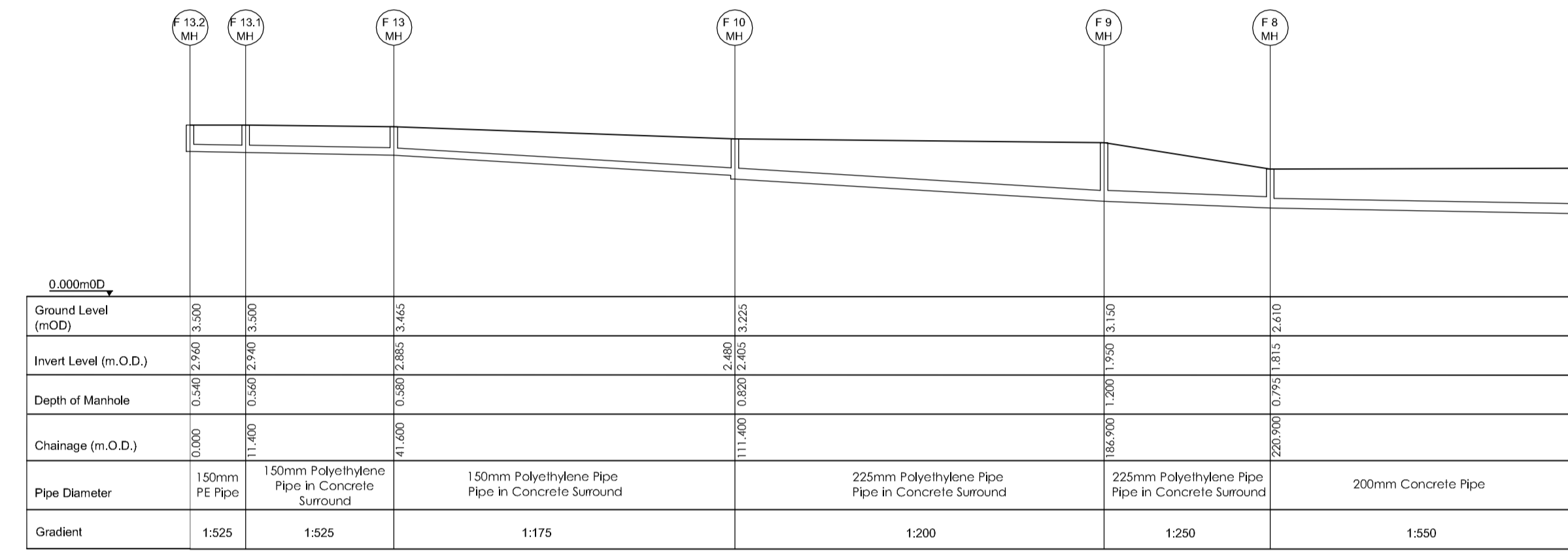
B LONGITUDINAL SECTION F 17.1 MH - F 7 MH
Scale: Horiz 1:1000, Vert 1:100



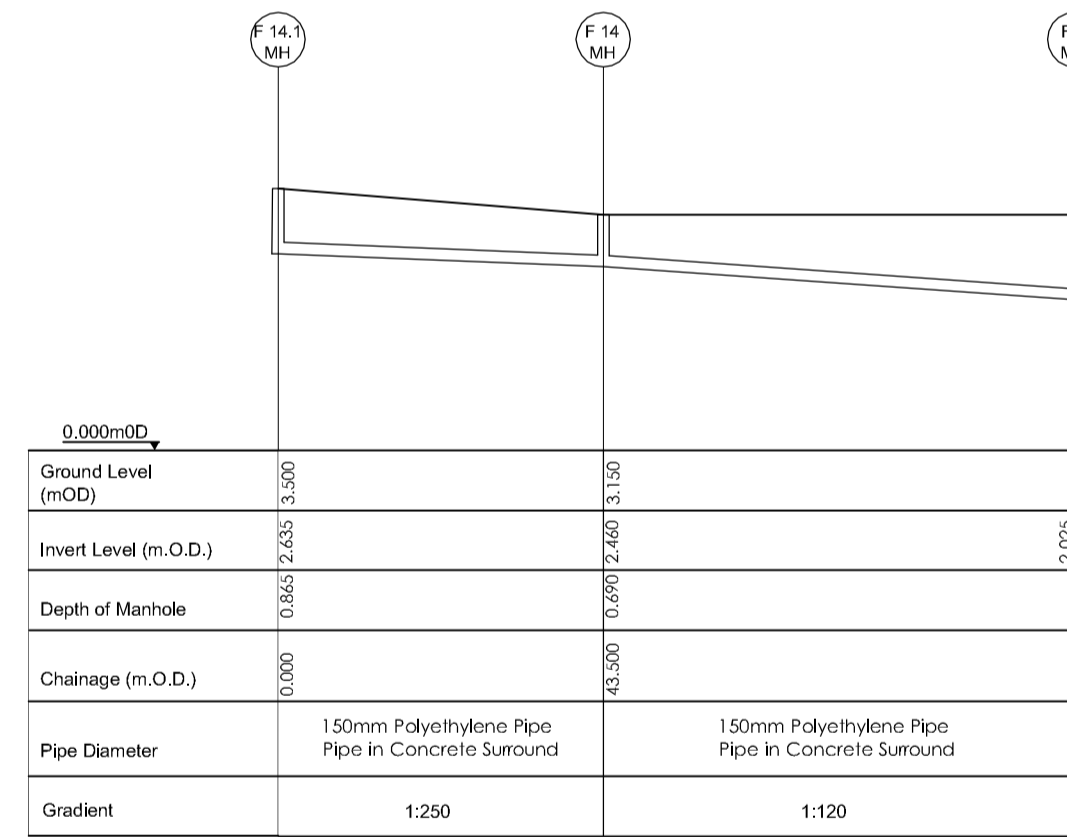
C LONGITUDINAL SECTION F 18.1 MH - F 15 MH
Scale: Horiz 1:1000, Vert 1:100



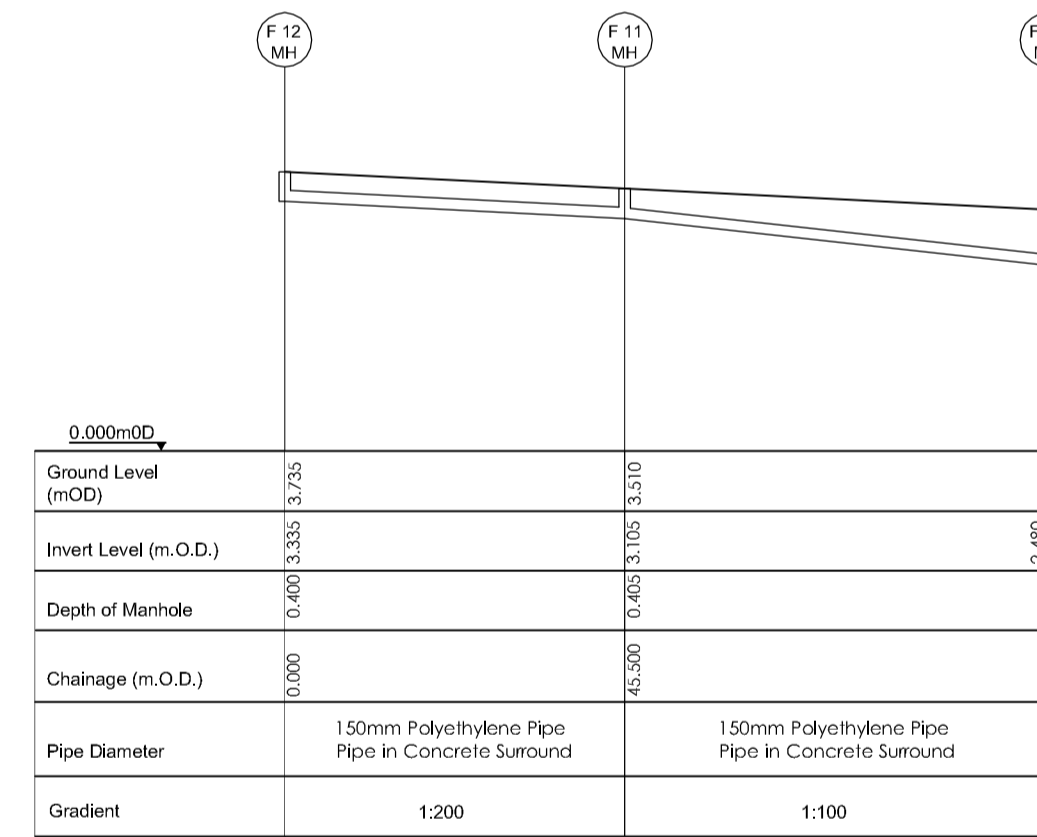
D LONGITUDINAL SECTION F 18.2 MH - F 18 MH
Scale: Horiz 1:1000, Vert 1:100



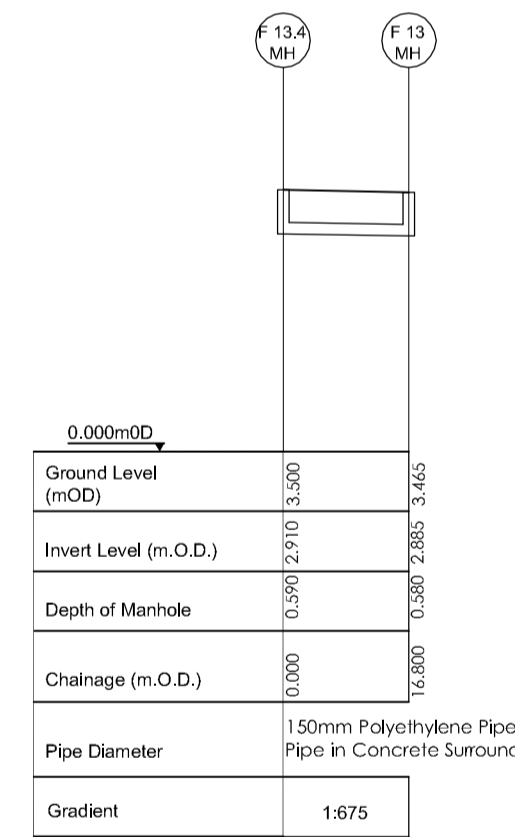
E LONGITUDINAL SECTION F 13.2 MH - F 7 MH
Scale: Horiz 1:1000, Vert 1:100



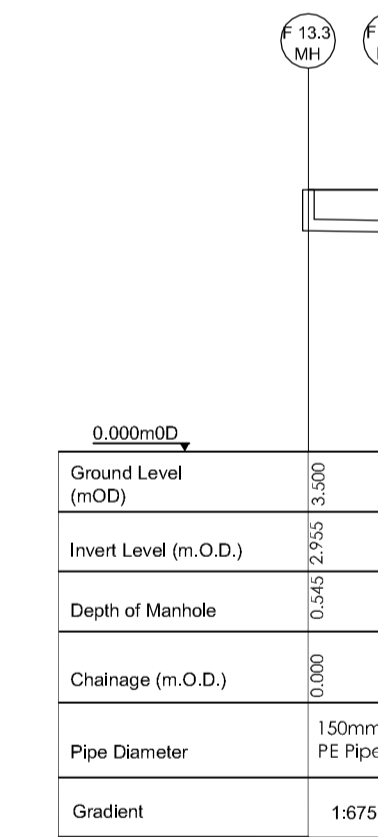
F LONGITUDINAL SECTION F 14.1 MH - F 9 MH
Scale: Horiz 1:1000, Vert 1:100



G LONGITUDINAL SECTION F 12 MH - F 10 MH
Scale: Horiz 1:1000, Vert 1:100

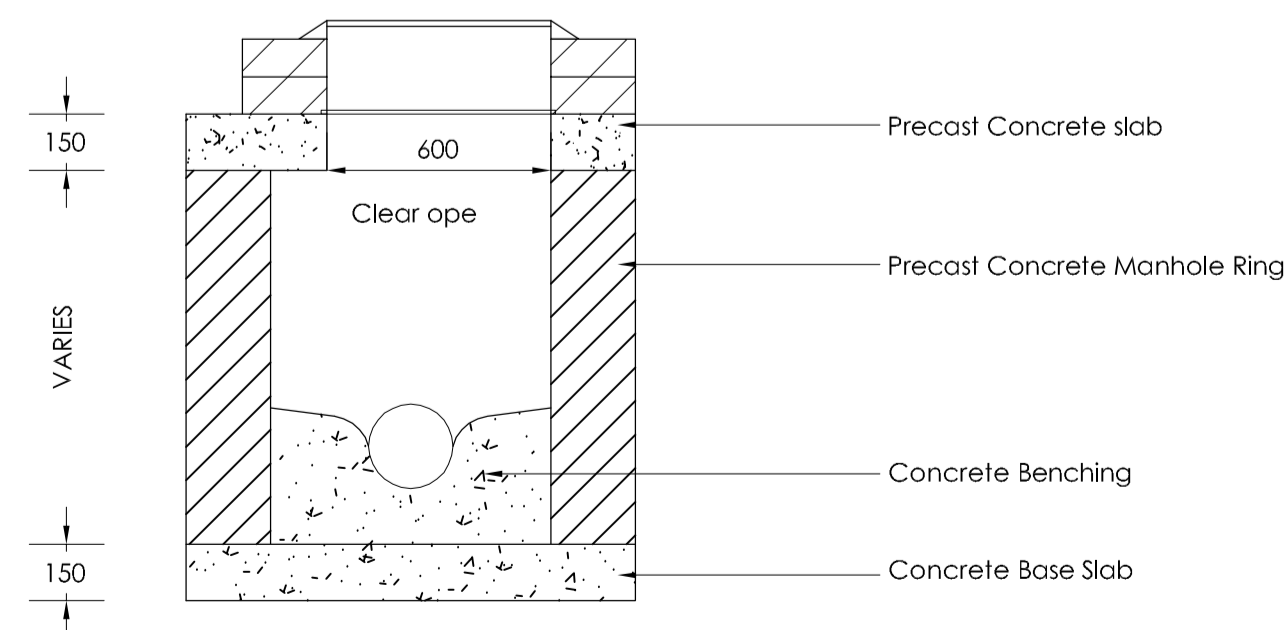


H LONGITUDINAL SECTION F 13.4 MH - F 13 MH
Scale: Horiz 1:1000, Vert 1:100

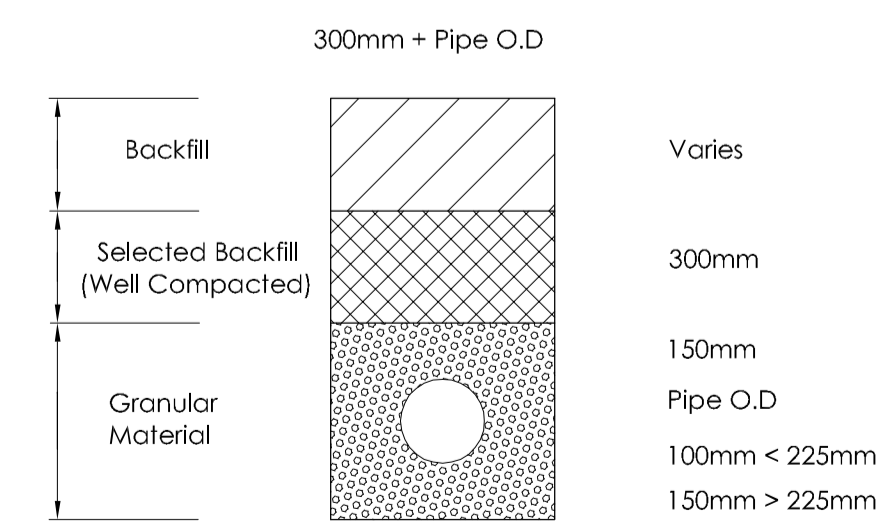


I LONGITUDINAL SECTION F 13.3 MH - F 13.1 MH
Scale: Horiz 1:1000, Vert 1:100

NOTE:
LONGITUDINAL SECTION SCALES =
1:1000 Horizontal
1:100 Vertical



Section through Manhole
Scale 1:20



Section through Pipe Trench
Scale 1:20

1	Issued for Dundalk Urban District Council - Taking In Charge	BH	BL	BH	22.10.09
ISSUE	DESCRIPTION	DESIGN	DRAWN	CHECK	DATE
HARMON McCARTHY PROJECTS LTD. No 5 Balfara Court, Athbourne, Co. Meath TEL: 01 8499800 FAX: 01 8499901 e-mail: info@hmp.ie CHARTERED ENGINEERS, ARCHITECTURAL SERVICES, BUILDING SURVEYORS, PROJECT MANAGERS					
PREVIOUS CONSULTANTS					
CLIENT					
DRAWING NAME					
PROJECT No. 010733					
DRAWING No 010733 - 012					
A1	SCALE as shown				